

SSR - Panasonic, AQZ202D

Input

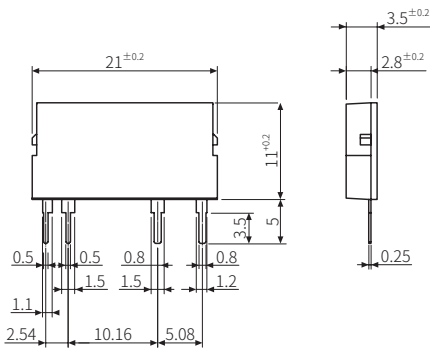
Rated voltage	Operate voltage	Release voltage	Input impedance
30 VDC≐	≥ 4 V	≤ 1.3 V	-

Output

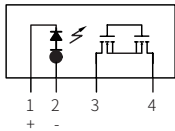
Manufacture	Panasonic
Contact arrangement	SPST-1a (N.O)
Load voltage range	60 VAC~ / DC≐ (Peak)
Max. load current	≤ 2.7 A
Min. load current	-
Non-repetitive surge current	9 A (Peak)
Output OFF leakage current	10 μA
Output ON on voltage	-
Insulation resistance	≥ 1,000 MΩ (500 VDC≐ megger)
Dielectric strength (contact-coil)	2,500 VAC~ 50/60 Hz for 1 minute
Operate time	≤ 10 ms
Release time	≤ 3 ms
Ambient temperature	-40 to 60 °C, storage: -40 to 100 °C (a non freezing or condensation environment)

Dimensions

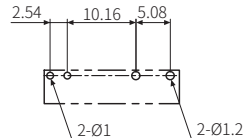
- unit: mm



- Circuit diagram (bottom view)



- PCB pattern



It was written based on the data provided by each manufacturer, but there is room for change, so be sure to check the manufacturer's data.

SSR - Panasonic, AQG12124

Input

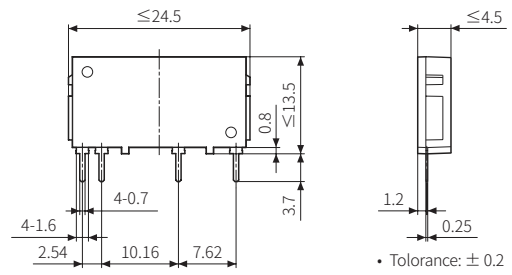
Rated voltage	Operate voltage	Release voltage	Input impedance
24 VDC≐ ± 20 %	≥ 19.2 VDC≐	≤ 1 V	≈ 1.6 kΩ

Output

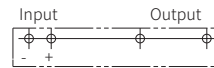
Manufacture	Panasonic
Contact arrangement	SPST-1a (zero cross turn-on)
Load voltage range	75-240 VAC~ 50/60 Hz
Max. load current	1 A
Min. load current	20 mA
Non-repetitive surge current	8 A
Output OFF leakage current	1.5 mA (at 200 VAC ~ 60 Hz)
Output ON on voltage	≤ 1.6 V (at max. current input)
Insulation resistance	≥ 1,000 MΩ (500 VDC≐ megger)
Dielectric strength (contact-coil)	3,000 VAC~ 50/60 Hz for 1 minute
Operate time	1/2 cycle of voltage sine wave + 1 ms
Release time	1/2 cycle of voltage sine wave + 1 ms
Ambient temperature	-30 to 80 °C, storage: -30 to 100 °C (a non freezing or condensation environment)

Dimensions

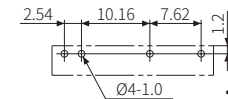
- unit: mm



- Circuit diagram (bottom view)



- PCB pattern



- Tolerance: ± 0.2

- Tolerance: ± 0.1

It was written based on the data provided by each manufacturer, but there is room for change, so be sure to check the manufacturer's data.

SSR - Panasonic, AQG22124

Input

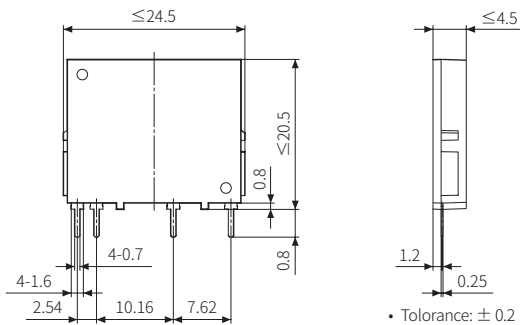
Rated voltage	Operate voltage	Release voltage	Input impedance
24 VDC \pm 20 %	\geq 19.2 VDC \pm	\leq 1 V	\approx 1.6 k Ω

Output

Manufacture	Panasonic
Contact arrangement	SPST-1a (zero cross turn-on)
Load voltage range	75-240 VAC \sim 50/60 Hz
Max. load current	2 A
Min. load current	20 mA
Non-repetitive surge current	30 A
Output OFF leakage current	1.5 mA (at 200 VAC \sim 60 Hz)
Output ON on voltage	\leq 1.6 V (at max. current input)
Insulation resistance	\geq 1,000 M Ω (500 VDC \pm megger)
Dielectric strength (contact-coil)	3,000 VAC \sim 50/60 Hz for 1 minute
Operate time	1/2 cycle of voltage sine wave + 1 ms
Release time	1/2 cycle of voltage sine wave + 1 ms
Ambient temperature	-30 to 80 °C, storage: -30 to 100 °C (a non freezing or condensation environment)

Dimensions

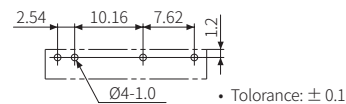
• unit: mm



• Circuit diagram (bottom view)



• PCB pattern



It was written based on the data provided by each manufacturer, but there is room for change, so be sure to check the manufacturer's data.

SSR - OMRON, G3MC-202P

Input

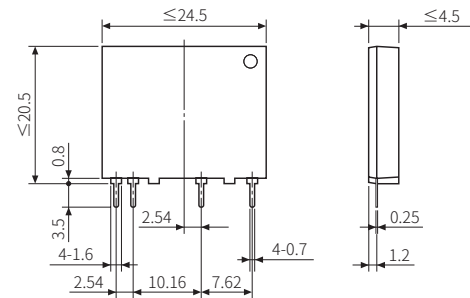
Rated voltage	Operate voltage	Release voltage	Input impedance
24 VDC \pm 20 %	\geq 19.2 VDC \pm	\leq 1 V	\approx 1.6 k Ω \pm 20 %

Output

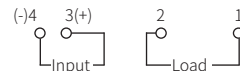
Manufacture	Panasonic
Contact arrangement	SPST-1a (zero cross turn-on)
Load voltage range	100-240 VAC \sim 50/60 Hz
Max. load current	2 A
Min. load current	-
Non-repetitive surge current	30 A
Output OFF leakage current	1.5 mA (at 200 VAC \sim 60 Hz)
Output ON on voltage	\leq 1.6 V (at max. current input)
Insulation resistance	\geq 1,000 M Ω (500 VDC \pm megger)
Dielectric strength (contact-coil)	2,500 VAC \sim 50/60 Hz for 1 minute
Operate time	1/2 cycle of voltage sine wave + 1 ms
Release time	1/2 cycle of voltage sine wave + 1 ms
Ambient temperature	-30 to 80 °C, storage: -30 to 100 °C (a non freezing or condensation environment)
Weight	\approx 2.5 g

Dimensions

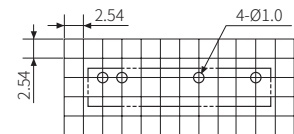
• unit: mm



• Circuit diagram (bottom view)



• PCB pattern



It was written based on the data provided by each manufacturer, but there is room for change, so be sure to check the manufacturer's data.

SSR - Fujitsu (TAKAMISAWA), SN-24A01C

Input

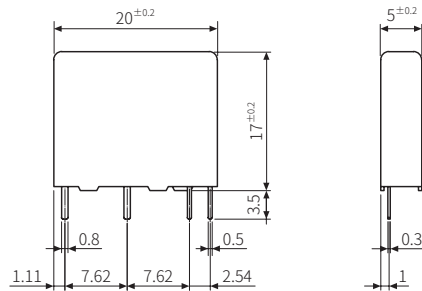
Rated voltage	Operate voltage	Release voltage	Input impedance
24 VDC \pm 20 %	\geq 80% of rated voltage	\leq 1 V	2.2 k Ω

Output

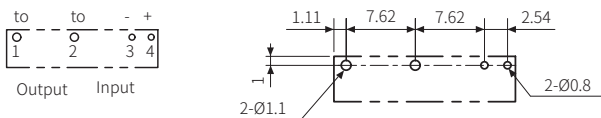
Manufacture	Fujitsu
Contact arrangement	SPST-1a (zero cross turn-on)
Load voltage range	24-240 VAC \sim
Max. load current	1 A
Min. load current	10 mA
Non-repetitive surge current	50 A
Output OFF leakage current	3.0 mA rms (at 200 Vrms 60 Hz)
Output ON on voltage	1.2 Vrms
Insulation resistance	\geq 1,000 M Ω (500 VDC \rightleftharpoons megger)
Dielectric strength (contact-coil)	2,500 VAC \sim 50/60 Hz for 1 minute
Operate time	1/2 cycle of voltage sine wave + 1 ms
Release time	1/2 cycle of voltage sine wave + 1 ms
Ambient temperature	-30 to 85 $^{\circ}$ C, storage: -40 to 100 $^{\circ}$ C (a non freezing or condensation environment)
Weight	\approx 3.5 g

Dimensions

• unit: mm



• Circuit diagram (bottom view) • PCB pattern



It was written based on the data provided by each manufacturer, but there is room for change, so be sure to check the manufacturer's data.