

Valve Plug Cables



CV Series PRODUCT MANUAL

For your safety, read and follow the considerations written in the instruction manual, other manuals and Autonics website.

The specifications, dimensions, etc. are subject to change without notice for product improvement. Some models may be discontinued without notice.

Features

- Available in I-type connector, L-type connector, cable type
- Screw mount connection for strong connectivity
- Excellent oil-resistance, abrasion resistance

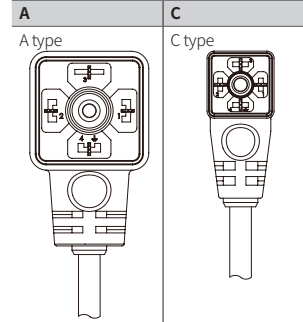
Ordering Information

This is only for reference.

For selecting the specified model, follow the Autonics website.

CV ① - ② ③ ④ - ③ ⑤ - ⑥

① Valve plug type



④ Inner circuit

A: LED + internal diode
B: LED + internal zener diode

⑤ Cable length

010: 1 m
020: 2 m
050: 5 m
100: 10 m

② Power supply

D: 24 VDC=
DA: 24 VDC=
/ VAC~ 50 / 60 Hz

③ Logic circuit

N: NPN
P: PNP

⑥ Connections

No mark: Cable type
I: Cable connector I type
L: Cable connector L type

Specifications

Model	CVA / CVC Series
Removable durability	Max. 200 operations
Cable tension	10 kgf (100 N)
Tightening	M3 × 0.5
Tightening torque	0.4 to 0.6 N.m M12 nut: 0.6 to 0.7 N.m
Connections	Cable connector/ cable type model
Cable diameter	∅ 5 ± 0.2 mm
Wire	3C × 0.3 mm ² (AWG22 - 0.08 × 60)
Flexion	Over 1,000 operations
Protection structure	IP67
Plug material	Jacket: TPU Socket: MPPPO Name plate: PC Bolt: SWCH 10A Pin: BRASS/NIKEL-PLATED
Connector material	Jacket: TPU Socket: PA6 Pin: BRASS/NIKEL-PLATED
Cable material	PVC
Unit weight (packaged) ⁰¹⁾	CVA: ≈ 68g (≈ 73.1 g) CVC: ≈ 55g (≈ 60.1g)

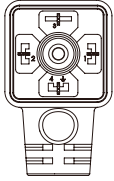
01) Based on CVA/CVC-□□□-3010-1. Add ≈ 35 g by cable 1 m.

Power supply	24 VAC~ 50 / 60 Hz, 24 VDC= 24 VDC=
Rated current	≤ 2 A
Conductor resistance	≤ 60.12 Ω/km (AWG22)
Insulation resistance	≥ 1000 MΩ (500 VDC= megger)
Dielectric strength	2000 VAC~ 50 / 60 Hz for 1 min
Vibration	1 mm amplitude at frequency of 10 to 55 Hz (for 1 min) in each X, Y, Z direction for 1 hour
Shock	500 m/s ² (≈ 50 G) in each X, Y, Z direction for 3 times
Ambient temperature	-25 to 70 °C, storage: -30 to 80 °C (no freezing or condensation)
Ambient humidity	35 to 85%RH, storage: 35 to 85%RH (no freezing or condensation)

Connections

Valve plug pin	Cable connector L / I type pin		Cable type	Output
	NPN	PNP		
1	1	4	Brown	VCC
2	4	3	Blue	GND
3	5	5	Black	PE (Protective Earth)
4				

Valve plug pin



Cable connector L / I type pin

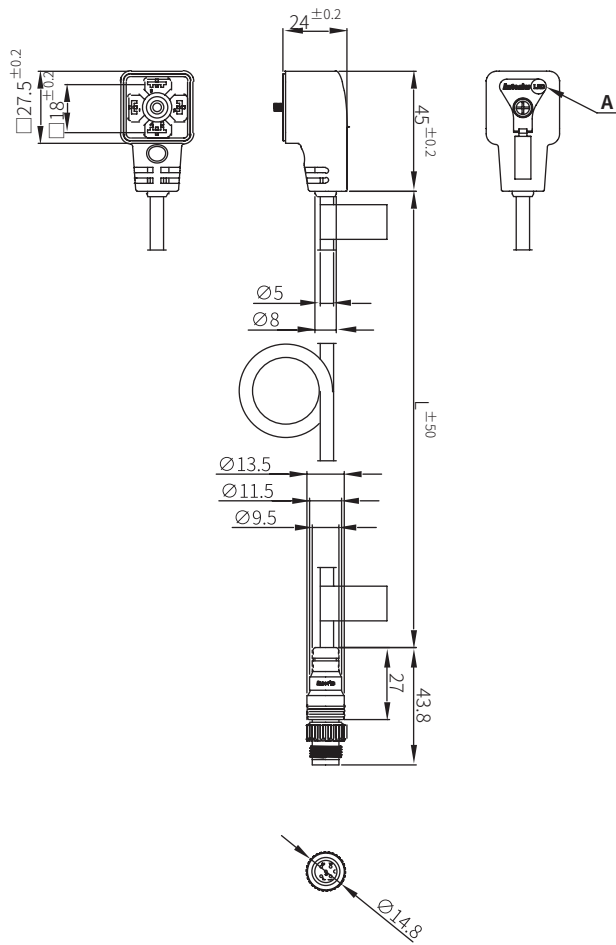


Dimensions

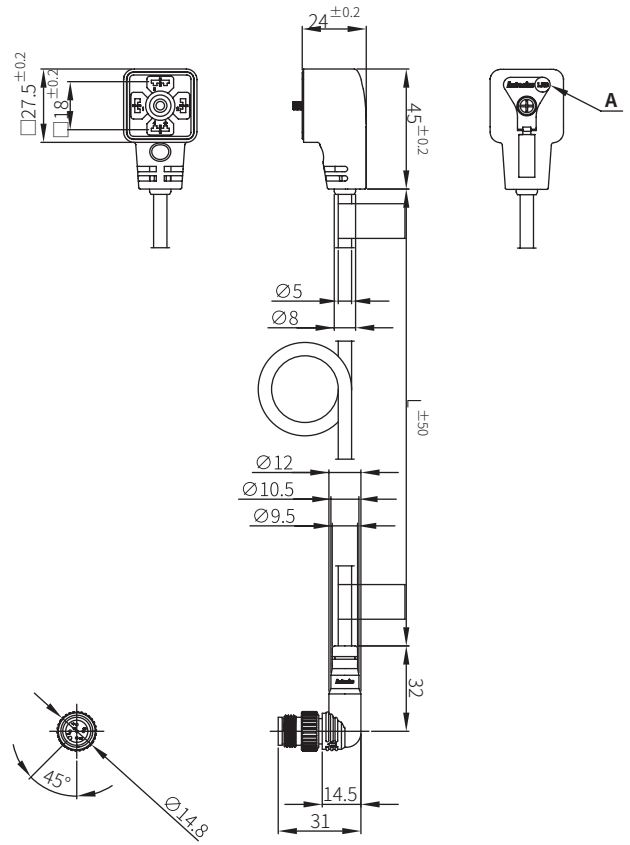
• Unit: mm, For the detailed drawings, follow the Autonics website.

A Operation indicator (green)

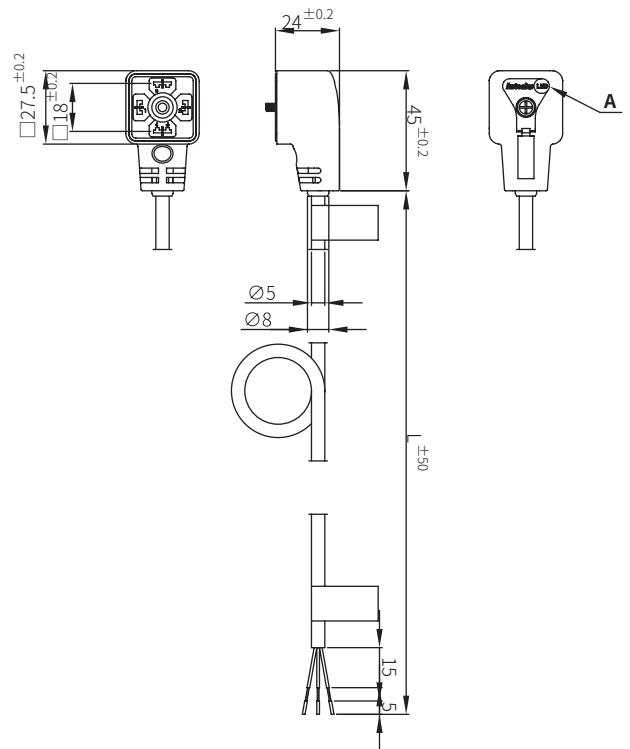
CVA (cable connector I type)



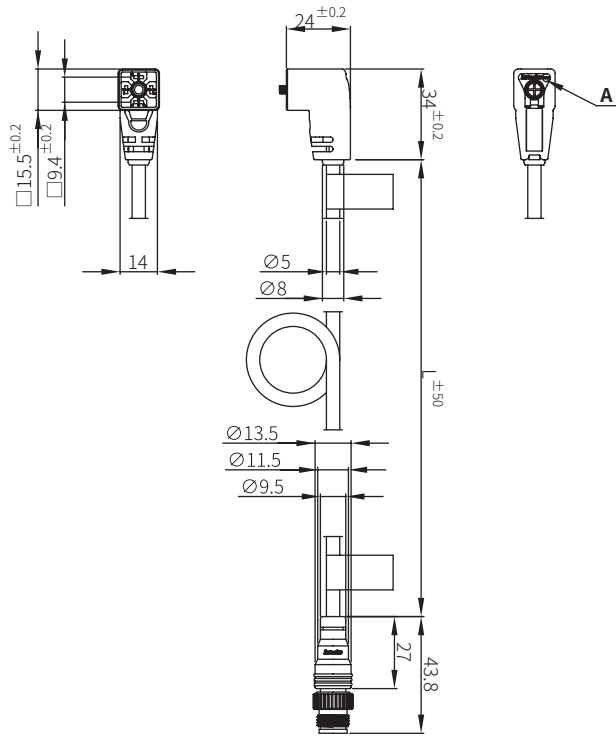
CVA (cable connector L type)



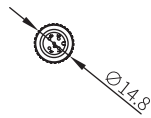
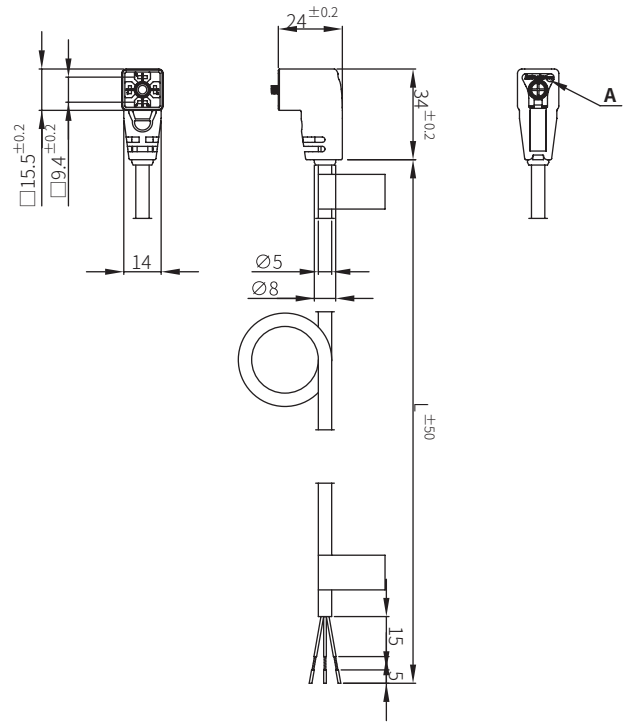
CVA (cable type)



■ CVC (cable connector I type)



■ CVC (cable type)



■ CVC (cable connector L type)

