

115mm Only Flashing LED Signal Light MS115C Series User Manual



Thank you for purchasing Menics product.
For the proper and safe use of this product, please read and fully understand this manual before use.

Instructions for safety

※ 'Instruction for safety safety' is made to prevent accidents or risks in advance by using the product safely and correctly and be sure to observe it.

※ Instructions are divided into two categories as "Warning" and "Attention" and they are as follows.

Warning If instruction is violated, there is the possibility of serious injury or death.

Attention If instruction is violated, there is possibility of minor injury or damage on the product.

※ The meaning of the picture symbols used in the product and User manual are as follows.

▲ is the sign meaning attention needs to be paid because there is the concern of risk occurrence under certain condition.

Warning

1. In case it is used for the machines which make greater impact on life or property (e.g. nuclear power control, medical equipment, railroad car, aerospace, combustion equipment, recreation equipment, etc. or safety devices), make sure to attach safety device bifariously before use.
There is the possibility of causing huge losses resulted from fire, personal injury and property damage.

2. Do not disassemble and renovate the product. Please contact the head office or regional office for internal inspection or repair.
There is the risk of causing fire, electrical shock and product damage.

3. While power is on, do not make wiring, maintenance or repair.
There is the danger of electrical shock.

4. Rated voltage range must be kept for the power input voltage.
There is the danger of fire or electric shock.

5. Before power on, make sure to check whether connection is made correctly.
There is the danger of fire, electrical shock or product damage.

6. When replacing lens, there might be remaining current. Make sure to replace lens one minute after putting off power.
There is the danger of electric shock.

7. Do not use the product in the area such as outdoor and explosion hazard, flammable gas, watery area, near to flammable material.
There is the danger of fire, electric shock or injury.

8. When making installation, earthing must be done solely and use grounding wire of AWG No 16 or above.
There is the danger of electric shock.

Attention

1. Do not leave obstacle that hinder the flow of air circulation.
There is the danger of deformation and product damage caused by heat.

2. When the product is in operation, do not touch the product for a while.
There is the danger of burn.

3. In case abnormality happens to the product, unplug the input power connection immediately.
There is the danger of fire or product damage.

4. Do not use in places with severe vibration.
There is the danger of product damage.

5. When cleaning, do not use water, organic solvent and clean with towel with -out moisture.
There is the danger of electric shock or fire.



1. Ordering Information

MS115C- F00 - R

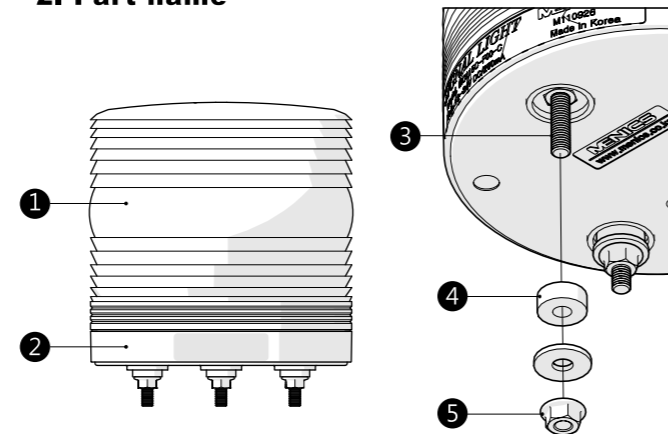
1. Light Style / Power Supply

F00 LED Flashing
12~24VDC

2. Lens Color

R	Red
Y	Yellow
G	Green
B	Blue
C	Clear

2. Part name



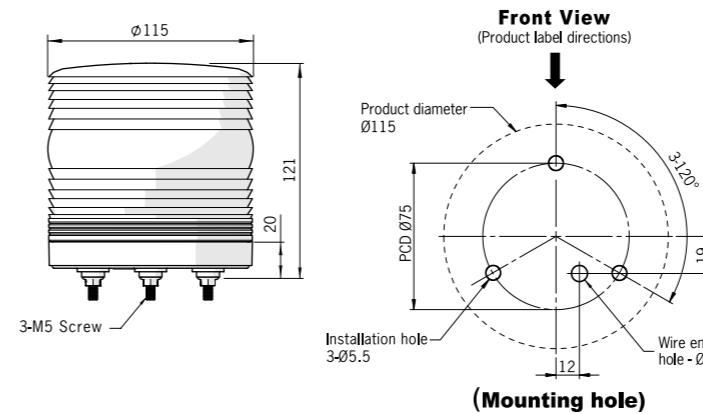
No	Part name	Material
1	Lens Cap	PC resin
2	Body	ABS resin
3	Fixing Screws	M5X35
4	Rubber	NBR
5	Fixing Flange Nut	M5

3. Ratings / Performance

Dimension	115mm					
Flashing	Flashing Light					
Power Specification	12 ~ 24V DC					
Mounting	Direct way body mounting , Wall mounting bracket mounting					
Lens color	Red, Yellow, Green, Blue, Clear					
Flashing rate	F1: 80±10 times flashing per minute F3: 240±10 times flashing per minute					
Current consumption (±10%)	Color	Red	Yellow	Green	Blue	Clear
		0.9A				
Vibration	0.75mm at 10~55Hz		Withstand Voltage			
Ambient Temperature	-20 ~ 40°C					
Storage ambient Temperature	-20 ~ 70°C		500V AC 50/60Hz for 1 minute			
Storage Temperature	45 ~ 85% RH					
Protection structure	IP65					
Approval	UL, RoHS					
Wire size	UL1007, 22AWG					
Weight	App. 325g					

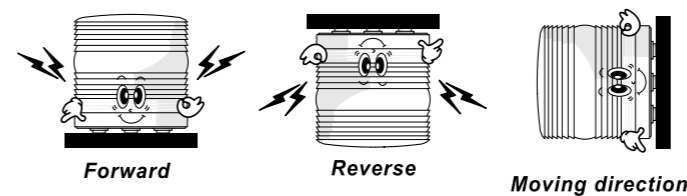
Note: LED lifetime depends on operating condition or environment.

4. Outside dimension (Unit: mm)



5. Product Installations

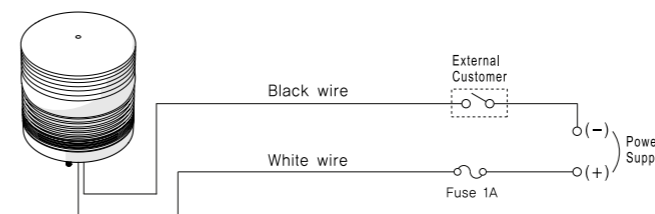
- This product has been manufactured with the structure of IP65.
- When it is used indoor, it can be installed in any direction.



- ▲ - Place to be installed should be the place with less vibration or shock and use it by attaching to flat surface.
- Avoid watery or dusty place if possible.

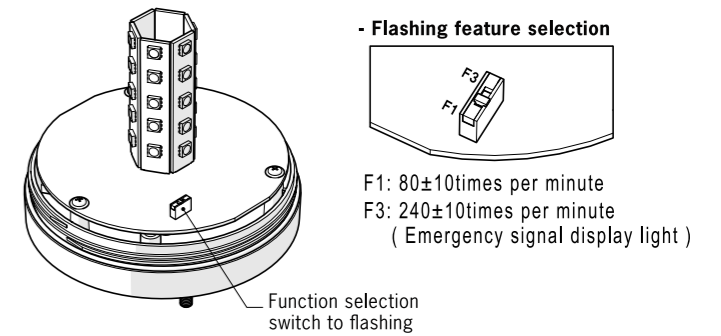
6. Connection diagram

- ▲ Before wiring, power supply must be turn off.
- There is the danger of electrical shock.



7. Feature setting

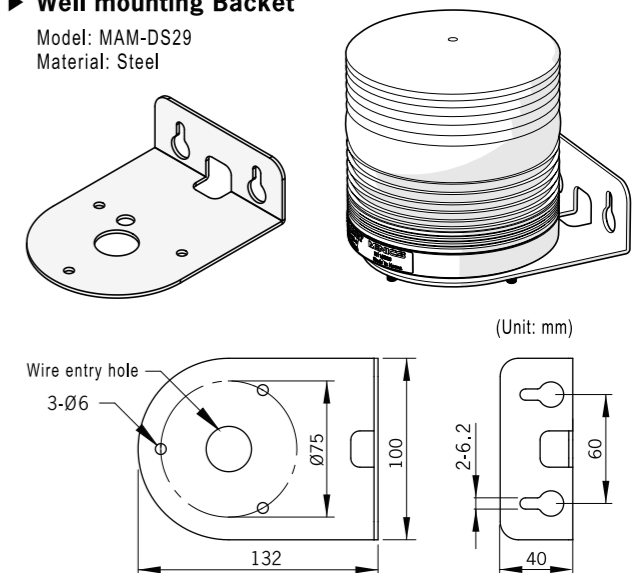
- ▲ When adjusting operating area while using the display light, do not hold the LED area directly by hand after removing the lens. There is the danger of burn, electric shock or injury.



8. Accessory part

▶ Well mounting Bracket

Model: MAM-DS29
Material: Steel



*Specifications and dimensions listed in the User Manual are subject to change without prior notice for product quality improvement.