

90mm Wall Mounting Type Multicolor Signal Light (Single lens)

MENICS
SIGNALTECHNOLOGY

Steady / Flashing / Buzzer

MWE Series

Product Features

MWE Series are manufactured from Lens using LED-only synthetic resin, so it displays natural and detail color of the LED Lighting. The diffusion and transmission ratio of the LED Lighting are very good regardless of angle. This slim product offers seamless integration with equipment.

- 4 Colors (Red, Yellow, Green, Blue) / 3 Colors (Red, Green, Blue) Signal Light
- Large LED Light-emitting Lens: Length: 93mm
- 40mm thick, slim product offers seamless integration with equipment
- Optional built-in Buzzer
- IP65 (Buzzer type: IP52)
- Letters, Symbols and Company Logos can be carved and attached to the Front lens using sheet.

User Manual

Thank you for purchasing Menics product. For the proper and safe use of this product, please read and fully understand this manual before use.

Instructions for safety

* 'Instruction for safety is made to prevent accidents or risks in advance by using the product safely and correctly and be sure to observe it.

* Instructions are divided into two categories as "Warning" and "Attention" and they are as follows.

Warning If instruction is violated, there is the possibility of serious injury or death.

Attention If instruction is violated, there is possibility of minor injury or damage on the product.

* The meaning of the picture symbols used in the product and User manual are as follows.

Warning is the sign meaning attention needs to be paid because there is the concern of risk occurrence under certain condition.

Warning

1. In case it is used for the machines which make greater impact on life or property (e.g. nuclear power control, medical equipment, railroad car, aerospace, combustion equipment, recreation equipment, etc. or safety devices), make sure to attach safety device bifuriously before use.

There is the possibility of causing huge losses resulted from fire, personal injury and property damage.

2. Do not disassemble and renovate the product. Please contact the head office or regional office for internal inspection or repair.

There is the risk of causing fire, electrical shock and product damage.

3. While power is on, do not make wiring, maintenance or repair.

There is the danger of electrical shock.

4. Rated voltage range must be kept for the power input voltage.

There is the danger of fire or electric shock.

5. Before power on, make sure to check whether connection is made correctly.

There is the danger of fire, electrical shock or product damage.

6. Do not use the product in the area such as outdoor and explosion hazard, flammable gas, watery area, near to flammable material.

There is the danger of fire, electric shock or injury.

Attention

1. Make sure that there is nothing blocking the flow of air circulating.

There is the danger of deformation and product damage caused by heat.

2. When the product is in operation, do not touch the product for a while.

There is the danger of burn.

3. In case abnormality happens to the product, unplug the input power connection immediately.

There is the danger of fire or product damage.

4. Do not use in places with severe vibration.

There is the danger of product damage.

5. When cleaning, do not use water, organic solvent and clean with towel with out moisture.

There is the danger of electric shock or fire.



1. Product model classification

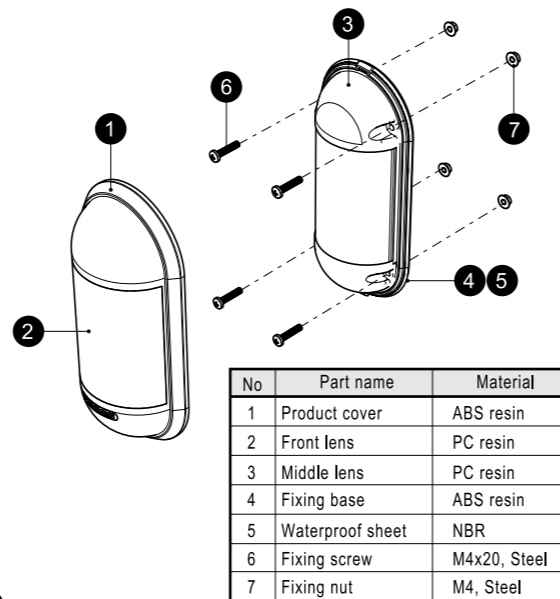
MWEC F - 4 0 0 - R Y G B (M)

① ② ③ ④ ⑤ ⑥ (Option)

1. Body Color	2. Functions	3. LED Signals	4. Power Supply	5. LED Colors	6. Color of Front lens (Option)
MWE Ivory	F Steady + Flashing	3 3 Color signals - 7 colors available (RGB Color Only)	OO 12 ~ 24VDC	RGB Red + Green + Blue	No mark Clear-white lens
MWEC Silver Coating	B Steady + Flashing + Buzzer	4 4 Color signals	FF 110 ~ 220VAC	RYG Red + Yellow + Green	(M) Milky lens
				RYGB Red + Yellow + Green + Blue	

* Standard Color of Front-lens is Clear. When you turn off the light, Lens turns clear.
* When you turn off the Ivory white colored product, Lens turns ivory white.

2. Names of the Components



No	Part name	Material
1	Product cover	ABS resin
2	Front lens	PC resin
3	Middle lens	PC resin
4	Fixing base	ABS resin
5	Waterproof sheet	NBR
6	Fixing screw	M4x20, Steel
7	Fixing nut	M4, Steel

Caution

Do not open the Middle lens fixed on the ④ Product fixing base for safety. Our company is not liable for following things:
1) Damage of circuit or product resulted from disassembly and foreign substances' penetration. 2) Damage resulted from remodeling.

3. Rating / Performance

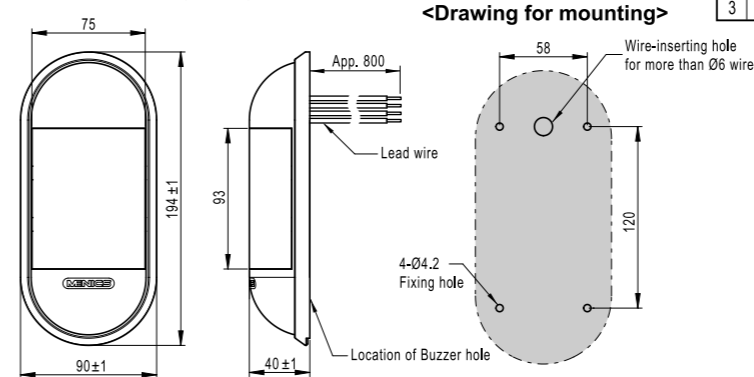
Function	Stead, Flashing
Power Supply	12~24VDC, 110~220VAC (AC, 50/60Hz)
Light Source	LED
LED Color	3 Colors: Red/Green/Blue, 4 Colors: Red/Yellow/Green/Blue
Product Size	Width: 90mm, Thickness: 40mm, Length: 194mm
Flashing Rate	12VDC: 80 ~5times per minute 24VDC: 85±5times per minute
Buzzer volume	90~240VAC: 85±5times per minute 75±5dB (at 1M, Sound Level is maximum)
Color of Front lens	Standard Color—Clear white, Option— Ivory white
Mounting direction	Wall mounting only (Upright, Reverse, Sideways)
Wiring Method	Lead wire connection
Ambient Temperature	-20 ~ 40°C
Storage ambient temperature	-20 ~ 70°C
Ambient Humidity	45~85% RH
Dielectric strength	1000VAC 50/60Hz for 1min
Insulation resistance	100MΩ min. at 500VDC
Vibration	0.75mm at 10~55Hz
Wire Size	UL1007 / 22AWG
Approval	CE, RoHS
Protection structure	IP65 (IP52-Buzzer type)
Weight (Buzzer type)	AC type— About 300g, DC type— About 293g

Note: Life of the LED varies according to operating conditions and environment.

Current consumption (RMS value ±10%)

PowerSupply	12~24VDC		110~220VAC	
	General	Buzzer	General	Buzzer
Current consumption	0.50A	0.60A	0.07A	0.07A

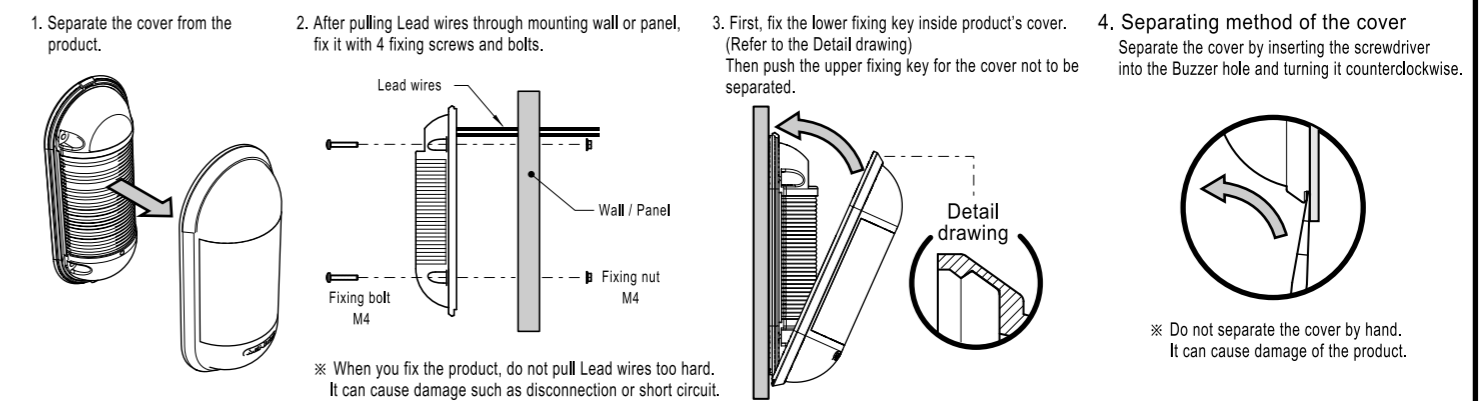
4. Dimensions (unit: mm)



* If you want to get IP52 grade, be sure to place the Buzzer side down. (For Buzzer type product)

5. Installation of the product

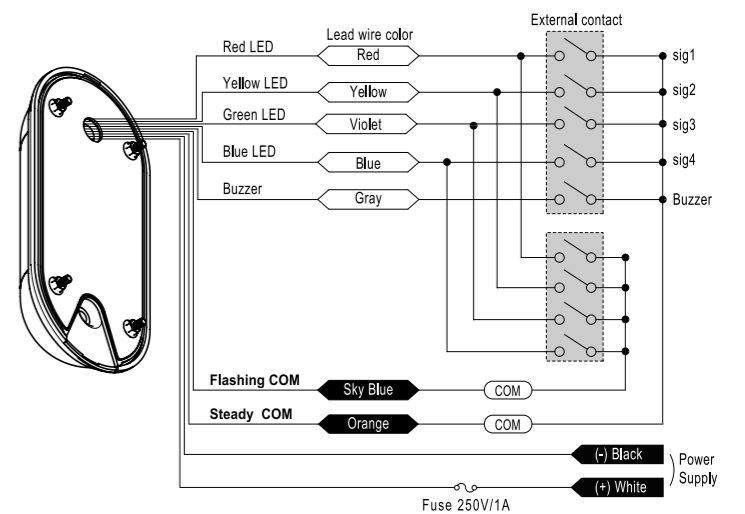
- Make a product fixing hole in the wall (Refer to the Drawing for mounting)
- In case you fix it to the panel, be sure to do chamfer after making a product fixing hole. If the sheath of the wire is peeled off, a short circuit can happen.



* Dimensions and performance of the product are subject to change without notice to improve the product.

6. Wiring diagram

Caution Be sure to cut the power supply before connecting Lead wires. There is danger of electric shock. Do not connect the power line and flashing or steady lines. (Orange wire, Sky blue wire) It may cause damage to the product.



* Pay attention to the polarity if it is DC-type.

Caution Do not combine more than two colors for AC products (110~220VAC). This may cause abnormal operation of the product.

RGB LED - Color Chart

No	Wiring	LED Color
1	Red wire	Red
2	Violet wire	Green
3	Blue wire	Blue
4	Red + Violet wire	Yellow
5	Red + Blue wire	Pink
6	Violet + Blue wire	Cyan
7	Red + Violet + Blue wire	White

7. Attachment of Sheet

- Clean the foreign substances or stains from the Front lens.
- Write Letters, Symbols or Company's Logs on the sheet, and attach it to the Front lens.
- Size of sheet: 70x90mm



* When you are attaching sheet, do not sprinkle liquids such as water

There is danger of electric shock and discoloration.

* Please be well informed that sheet can look different after turning on the LED Light.

MENICS
SIGNALTECHNOLOGY

118-1, Ungbigongdan-gil, Yangsan-si, Gyeongsangnam-do, Korea, 50524
TEL : 82-55-371-5200 FAX: 82-55-371-5202
http://www.menics.co.kr E-mail: menics@chol.com